

GN 900

Adjustable slide units

- **Slides and end plates**

Aluminium, press formed and anodised extrusion, natural colour.

- **Guide shafts**

Stainless steel.

- **Lead spindle and ball bearing**

Stainless steel.

- **Lead nut**

Plastic.

- **Fixing screws**

Stainless steel.

- **Control knob and scale**

Black anodised aluminium.

- **Adjustable hand lever**

- Execution **1**: without adjustable hand lever.

- Execution **2**: with adjustable hand lever GN 302 (see page 39)
(only from b=50).

- **Standard executions available**

- Execution **D**: with control knob.

- Execution **H**: with handwheel.

- Execution **DN / DR**: with control knob and digital position indicator, DD51.

- Execution **HN / HR**: with handwheel VD.FP and digital position indicator, DD51.

- Execution **S**: without adjustable spindle and operating element.



Features and applications

Adjustable slide units GN 900 can be combined with a range of adaptors to give various axis configurations.

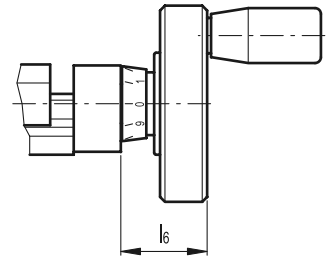
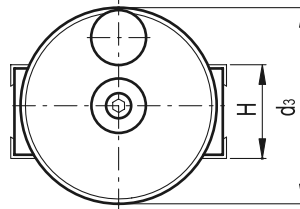
These fastening units and connecting sets (GN 900.1 (see page 69), GN 900.2 (see page 70), GN 900.3 (see page 71) can be clamped to the adjustable slide units in a rapid and simple way.

For fine adjustment there is a scale ring graduated in increments of digital position indicator 0,05 mm and 0,02 mm.

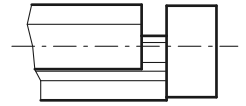
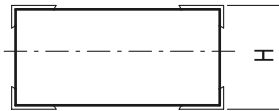
Furthermore this adjustable slide units (execution **D**, with control knob) is rustproof.

GN 900-50
GN 900-80
GN 900-120

GN 900-H

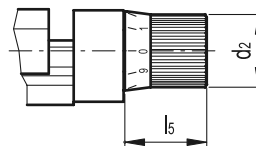
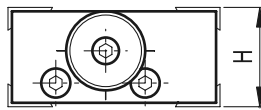


GN 900-S

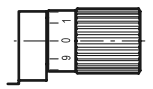


GN 900-50
GN 900-80
GN 900-120

GN 900-D



GN 900-30



GN 900-DN

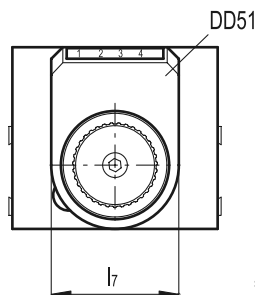
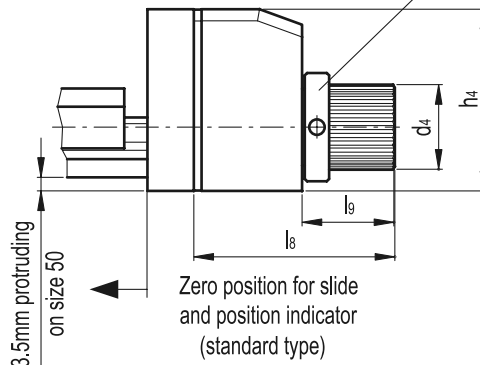


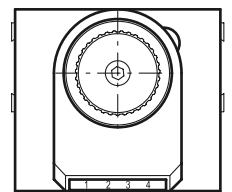
Figure in front of decimal point refers to the movement in mm

Set ring to re-adjust the zero position of the position indicator

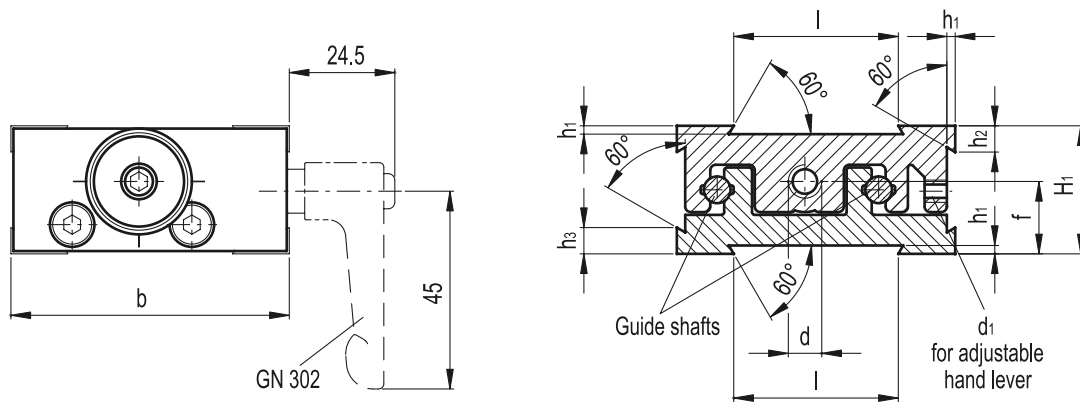
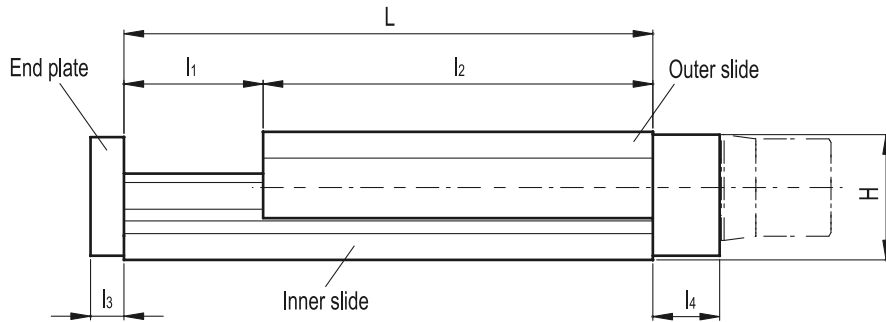
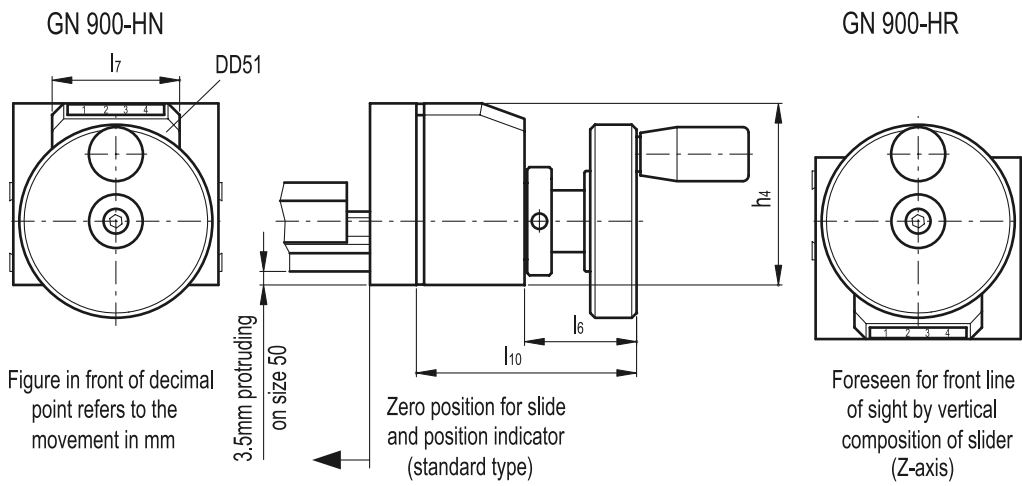


Zero position for slide and position indicator (standard type)

GN 900-DR



Foreseen for front line of sight by vertical composition of slider (Z-axis)



Standard Elements	Main dimensions																								
	Description	b	L - l1	l	l2	l3	l4	l5	l6	l7	l8	l9	l10	d	d1	d2	d3	d4	H	H1	h1	h2	h3	h4	f
GN 900-30-50-5-D-1	30	50-5	16	45	4	6	20	-	-	-	-	-	-	M4x0.5	M3	14	-	-	16	17	1	3	4	-	9.3
GN 900-30-55-10-D-1	30	55-10	16	45	4	6	20	-	-	-	-	-	-	M4x0.5	M3	14	-	-	16	17	1	3	4	-	9.3
GN 900-30-60-15-D-1	30	60-15	16	45	4	6	20	-	-	-	-	-	-	M4x0.5	M3	14	-	-	16	17	1	3	4	-	9.3
GN 900-30-65-20-D-1	30	65-20	16	45	4	6	20	-	-	-	-	-	-	M4x0.5	M3	14	-	-	16	17	1	3	4	-	9.3
GN 900-50-95-25-D-*	50	95-25	30	70	6	12	20	-	-	-	-	-	-	M6x1	M4	17	-	-	23	23	1.5	4.5	7	-	13
GN 900-50-120-50-D-*	50	120-50	30	70	6	12	20	-	-	-	-	-	-	M6x1	M4	17	-	-	23	23	1.5	4.5	7	-	13
GN 900-50-145-75-D-*	50	145-75	30	70	6	12	20	-	-	-	-	-	-	M6x1	M4	17	-	-	23	23	1.5	4.5	7	-	13
GN 900-50-170-100-D-*	50	170-100	30	70	6	12	20	-	-	-	-	-	-	M6x1	M4	17	-	-	23	23	1.5	4.5	7	-	13
GN 900-80-145-25-D-*	80	145-25	50	120	8	16	24	-	-	-	-	-	-	M8x1	M5	22	-	-	35.5	36	2	10	10	-	20.5
GN 900-80-170-50-D-*	80	170-50	50	120	8	16	24	-	-	-	-	-	-	M8x1	M5	22	-	-	35.5	36	2	10	10	-	20.5
GN 900-80-195-75-D-*	80	195-75	50	120	8	16	24	-	-	-	-	-	-	M8x1	M5	22	-	-	35.5	36	2	10	10	-	20.5
GN 900-80-220-100-D-*	80	220-100	50	120	8	16	24	-	-	-	-	-	-	M8x1	M5	22	-	-	35.5	36	2	10	10	-	20.5
GN 900-120-185-25-D-*	120	185-25	80	160	10	18	34	-	-	-	-	-	-	M10x1	M5	34	-	-	45	46	2	13.8	13.8	-	26.3
GN 900-120-210-50-D-*	120	210-50	80	160	10	18	34	-	-	-	-	-	-	M10x1	M5	34	-	-	45	46	2	13.8	13.8	-	26.3
GN 900-120-235-75-D-*	120	235-75	80	160	10	18	34	-	-	-	-	-	-	M10x1	M5	34	-	-	45	46	2	13.8	13.8	-	26.3
GN 900-120-260-100-D-*	120	260-100	80	160	10	18	34	-	-	-	-	-	-	M10x1	M5	34	-	-	45	46	2	13.8	13.8	-	26.3
GN 900-50-95-25-H-*	50	95-25	30	70	6	12	-	22	-	-	-	-	-	M6x1	M4	-	50	-	23	23	1.5	4.5	7	-	13
GN 900-50-120-50-H-*	50	120-50	30	70	6	12	-	22	-	-	-	-	-	M6x1	M4	-	50	-	23	23	1.5	4.5	7	-	13
GN 900-50-145-75-H-*	50	145-75	30	70	6	12	-	22	-	-	-	-	-	M6x1	M4	-	50	-	23	23	1.5	4.5	7	-	13
GN 900-50-170-100-H-*	50	170-100	30	70	6	12	-	22	-	-	-	-	-	M6x1	M4	-	50	-	23	23	1.5	4.5	7	-	13
GN 900-80-145-25-H-*	80	145-25	50	120	8	16	-	31	-	-	-	-	-	M8x1	M5	-	80	-	35.5	36	2	10	10	-	20.5
GN 900-80-170-50-H-*	80	170-50	50	120	8	16	-	31	-	-	-	-	-	M8x1	M5	-	80	-	35.5	36	2	10	10	-	20.5
GN 900-80-195-75-H-*	80	195-75	50	120	8	16	-	31	-	-	-	-	-	M8x1	M5	-	80	-	35.5	36	2	10	10	-	20.5
GN 900-80-220-100-H-*	80	220-100	50	120	8	16	-	31	-	-	-	-	-	M8x1	M5	-	80	-	35.5	36	2	10	10	-	20.5

*Complete the description of the standard item needed by adding 1 (without adjustable hand lever) or 2 (with adjustable hand lever).

Standard Elements	Main dimensions																								
	Description	b	L - l ₁	l	l ₂	l ₃	l ₄	l ₅	l ₆	l ₇	l ₈	l ₉	l ₁₀	d	d ₁	d ₂	d ₃	d ₄	H	H ₁	h ₁	h ₂	h ₃	h ₄	f
GN 900-120-185-25-H*	120	185-25	80	160	10	18	-	40	-	-	-	-	-	M10x1	M5	-	100	-	45	46	2	13.8	13.8	-	26.3
GN 900-120-210-50-H*	120	210-50	80	160	10	18	-	40	-	-	-	-	-	M10x1	M5	-	100	-	45	46	2	13.8	13.8	-	26.3
GN 900-120-235-75-H*	120	235-75	80	160	10	18	-	40	-	-	-	-	-	M10x1	M5	-	100	-	45	46	2	13.8	13.8	-	26.3
GN 900-120-260-100-H*	120	260-100	80	160	10	18	-	40	-	-	-	-	-	M10x1	M5	-	100	-	45	46	2	13.8	13.8	-	26.3
GN 900-50-95-25-DN*	50	95-25	30	70	6	12	-	-	33	52	24	-	-	M6x1	M4	-	-	22	23	23	1.5	4.5	7	47	13
GN 900-50-120-50-DN*	50	120-50	30	70	6	12	-	-	33	52	24	-	-	M6x1	M4	-	-	22	23	23	1.5	4.5	7	47	13
GN 900-50-145-75-DN*	50	145-75	30	70	6	12	-	-	33	52	24	-	-	M6x1	M4	-	-	22	23	23	1.5	4.5	7	47	13
GN 900-50-170-100-DN*	50	170-100	30	70	6	12	-	-	33	52	24	-	-	M6x1	M4	-	-	22	23	23	1.5	4.5	7	47	13
GN 900-80-145-25-DN*	80	145-25	50	120	8	16	-	-	33	55	27	-	-	M8x1	M5	-	-	22	35.5	36	2	10	10	51	20.5
GN 900-80-170-50-DN*	80	170-50	50	120	8	16	-	-	33	55	27	-	-	M8x1	M5	-	-	22	35.5	36	2	10	10	51	20.5
GN 900-80-195-75-DN*	80	195-75	50	120	8	16	-	-	33	55	27	-	-	M8x1	M5	-	-	22	35.5	36	2	10	10	51	20.5
GN 900-80-220-100-DN*	80	220-100	50	120	8	16	-	-	33	55	27	-	-	M8x1	M5	-	-	22	35.5	36	2	10	10	51	20.5
GN 900-120-185-25-DN*	120	185-25	80	160	10	18	-	-	33	69	41	-	-	M10x1	M5	-	-	34	45	46	2	13.8	13.8	57	26.3
GN 900-120-210-50-DN*	120	210-50	80	160	10	18	-	-	33	69	41	-	-	M10x1	M5	-	-	34	45	46	2	13.8	13.8	57	26.3
GN 900-120-235-75-DN*	120	235-75	80	160	10	18	-	-	33	69	41	-	-	M10x1	M5	-	-	34	45	46	2	13.8	13.8	57	26.3
GN 900-120-260-100-DN*	120	260-100	80	160	10	18	-	-	33	69	41	-	-	M10x1	M5	-	-	34	45	46	2	13.8	13.8	57	26.3
GN 900-50-95-25-DR*	50	95-25	30	70	6	12	-	-	33	52	24	-	-	M6x1	M4	-	-	22	23	23	1.5	4.5	7	47	13
GN 900-50-120-50-DR*	50	120-50	30	70	6	12	-	-	33	52	24	-	-	M6x1	M4	-	-	22	23	23	1.5	4.5	7	47	13
GN 900-50-145-75-DR*	50	145-75	30	70	6	12	-	-	33	52	24	-	-	M6x1	M4	-	-	22	23	23	1.5	4.5	7	47	13
GN 900-50-170-100-DR*	50	170-100	30	70	6	12	-	-	33	52	24	-	-	M6x1	M4	-	-	22	23	23	1.5	4.5	7	47	13
GN 900-80-145-25-DR*	80	145-25	50	120	8	16	-	-	33	55	27	-	-	M8x1	M5	-	-	22	35.5	36	2	10	10	51	20.5
GN 900-80-170-50-DR*	80	170-50	50	120	8	16	-	-	33	55	27	-	-	M8x1	M5	-	-	22	35.5	36	2	10	10	51	20.5
GN 900-80-195-75-DR*	80	195-75	50	120	8	16	-	-	33	55	27	-	-	M8x1	M5	-	-	22	35.5	36	2	10	10	51	20.5
GN 900-80-220-100-DR*	80	220-100	50	120	8	16	-	-	33	55	27	-	-	M8x1	M5	-	-	22	35.5	36	2	10	10	51	20.5
GN 900-120-185-25-DR*	120	185-25	80	160	10	18	-	-	33	69	41	-	-	M10x1	M5	-	-	34	45	46	2	13.8	13.8	57	26.3
GN 900-120-210-50-DR*	120	210-50	80	160	10	18	-	-	33	69	41	-	-	M10x1	M5	-	-	34	45	46	2	13.8	13.8	57	26.3
GN 900-120-235-75-DR*	120	235-75	80	160	10	18	-	-	33	69	41	-	-	M10x1	M5	-	-	34	45	46	2	13.8	13.8	57	26.3
GN 900-120-260-100-DR*	120	260-100	80	160	10	18	-	-	33	69	41	-	-	M10x1	M5	-	-	34	45	46	2	13.8	13.8	57	26.3
GN 900-50-95-25-HN*	50	95-25	30	70	6	12	-	22	33	-	-	57	-	M6x1	M4	-	-	-	23	23	1.5	4.5	7	47	13
GN 900-50-120-50-HN*	50	120-50	30	70	6	12	-	22	33	-	-	57	-	M6x1	M4	-	-	-	23	23	1.5	4.5	7	47	13
GN 900-50-145-75-HN*	50	145-75	30	70	6	12	-	22	33	-	-	57	-	M6x1	M4	-	-	-	23	23	1.5	4.5	7	47	13
GN 900-50-170-100-HN*	50	170-100	30	70	6	12	-	22	33	-	-	57	-	M6x1	M4	-	-	-	23	23	1.5	4.5	7	47	13
GN 900-80-145-25-HN*	80	145-25	50	120	8	16	-	31	33	-	-	66	-	M8x1	M5	-	-	-	35.5	36	2	10	10	51	20.5
GN 900-80-170-50-HN*	80	170-50	50	120	8	16	-	31	33	-	-	66	-	M8x1	M5	-	-	-	35.5	36	2	10	10	51	20.5
GN 900-80-195-75-HN*	80	195-75	50	120	8	16	-	31	33	-	-	66	-	M8x1	M5	-	-	-	35.5	36	2	10	10	51	20.5
GN 900-80-220-100-HN*	80	220-100	50	120	8	16	-	31	33	-	-	66	-	M8x1	M5	-	-	-	35.5	36	2	10	10	51	20.5
GN 900-120-185-25-HN*	120	185-25	80	160	10	18	-	40	33	-	-	75	-	M10x1	M5	-	-	-	45	46	2	13.8	13.8	57	26.3
GN 900-120-210-50-HN*	120	210-50	80	160	10	18	-	40	33	-	-	75	-	M10x1	M5	-	-	-	45	46	2	13.8	13.8	57	26.3
GN 900-120-235-75-HN*	120	235-75	80	160	10	18	-	40	33	-	-	75	-	M10x1	M5	-	-	-	45	46	2	13.8	13.8	57	26.3
GN 900-120-260-100-HN*	120	260-100	80	160	10	18	-	40	33	-	-	75	-	M10x1	M5	-	-	-	45	46	2	13.8	13.8	57	26.3
GN 900-50-95-25-HR*	50	95-25	30	70	6	12	-	22	33	-	-	57	-	M6x1	M4	-	-	-	23	23	1.5	4.5	7	47	13
GN 900-50-120-50-HR*	50	120-50	30	70	6	12	-	22	33	-	-	57	-	M6x1	M4	-	-	-	23	23	1.5	4.5	7	47	13
GN 900-50-145-75-HR*	50	145-75	30	70	6	12	-	22	33	-	-	57	-	M6x1	M4	-	-	-	23	23	1.5	4.5	7	47	13
GN 900-50-170-100-HR*	50	170-100	30	70	6	12	-	22	33	-	-	57	-	M6x1	M4	-	-	-	23	23	1.5	4.5	7	47	13
GN 900-80-145-25-HR*	80	145-25	50	120	8	16	-	31	33	-	-	66	-	M8x1	M5	-	-	-	35.5	36	2	10	10	51	20.5
GN 900-80-170-50-HR*	80	170-50	50	120	8	16	-	31	33	-	-	66	-	M8x1	M5	-	-	-	35.5	36	2	10	10	51	20.5
GN 900-80-195-75-HR*	80	195-75	50	120	8	16	-	31	33	-	-	66	-	M8x1	M5	-	-	-	35.5	36	2	10	10	51	20.5
GN 900-80-220-100-HR*	80	220-100	50	120	8	16	-	31	33	-	-	66	-	M8x1	M5	-	-	-	35.5	36	2	10	10	51	20.5
GN 900-120-185-25-HR*	120	185-25	80	160	10	18	-	40	33	-	-	75	-	M10x1	M5	-	-	-	45	46	2	13.8	13.8	57	26.3
GN 900-120-210-50-HR*	120	210-50	80	160	10	18	-	40	33	-	-	75	-	M10x1	M5	-	-	-	45	46	2	13.8	13.8	57	26.3
GN 900-120-235-75-HR*	120	235-75	80	160	10	18	-	40	33	-	-	75	-	M10x1	M5	-	-	-	45	46	2	13.8	13.8	57	26.3
GN 900-120-260-100-HR*	120	260-100	80	160	10	18	-	40	33	-	-	75	-	M10x1	M5	-	-	-	45	46	2	13.8	13.8	57	26.3
GN 900-30-50-5-S-1	30	50-5	16	45	4	6	-	-	-	-	-	-	-	M4x0.5	M3	-	-	-	16	17	1	3	4	-	9.3
GN 900-30-55-10-S-1	30	55-10	16	45	4	6	-	-	-	-	-	-	-	M4x0.5	M3	-	-	-	16	17	1	3	4	-	9.3
GN 900-30-60-15-S-1	30	60-15	16	45	4	6	-	-	-	-	-	-	-	M4x0.5	M3	-	-	-	16	17	1	3	4	-	9.3
GN 900-30-65-20-S-1	30	65-20	16	45	4	6	-	-	-	-	-	-	-	M4x0.5	M3	-	-	-	16	17	1	3	4	-	9.3
GN 900-50-95-25-S*	50	95-25	30	70	6	12	-	-	-	-	-	-	-	M6x1	M4	-	-	-	23	23	1.5	4.5	7	-	13
GN 900-50-120-50-S*	50	120-50	30	70	6	12	-	-	-	-	-	-	-	M6x1	M4	-	-	-	23	23	1.5	4.5	7	-	13
GN 900-50-145-75-S*	50	145-75	30	70	6	12	-	-	-	-	-	-	-	M6x1	M4	-	-	-	23	23	1.5	4.5	7	-	13
GN 900-50-170-100-S*	50	170-100	30	70	6	12	-	-	-	-	-	-	-	M6x1	M4	-	-	-	23	23	1.5	4.5	7	-	13
GN 900-80-145-25-S*	80	145-25	50	120	8	16	-	-	-	-	-	-	-	M8x1	M5	-	-	-	35.5	36	2	10	10	-	20.5
GN 900-80-170-50-S*	80	170-50	50	120	8	16	-	-	-	-	-	-	-	M8x1	M5										